

# KTDI Pilot Data Flows (NLD)

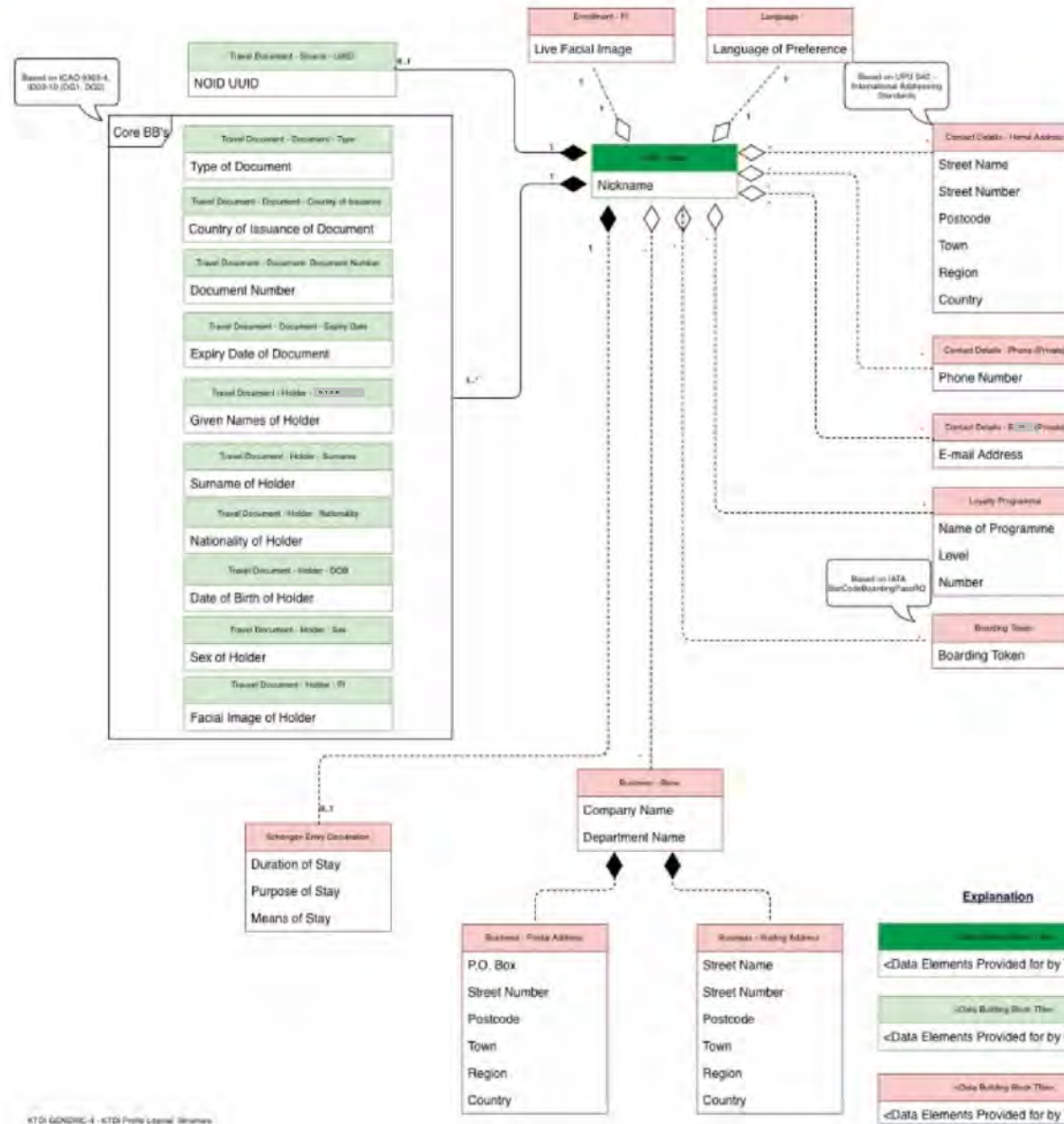


11.04.2019



# KTDI Profile

# KTDI Profile



**Note**

- On the next slides, references will be made to the Building Blocks of the KTDI Profile.

**Note**

- Minor (cosmetic) updates to some Core Building Blocks (previously: 'Travel Document – Holder Data - <data element>' changed to 'Travel Document – Holder - <data element>' in order to align with other Core Building Blocks.
- Changed ██████████ 'Boarding Pass' according to discussion with KLM and Schiphol.



# Data Flows NLD → CAN

# KTDI Pilot Process - Departure NLD

## First time

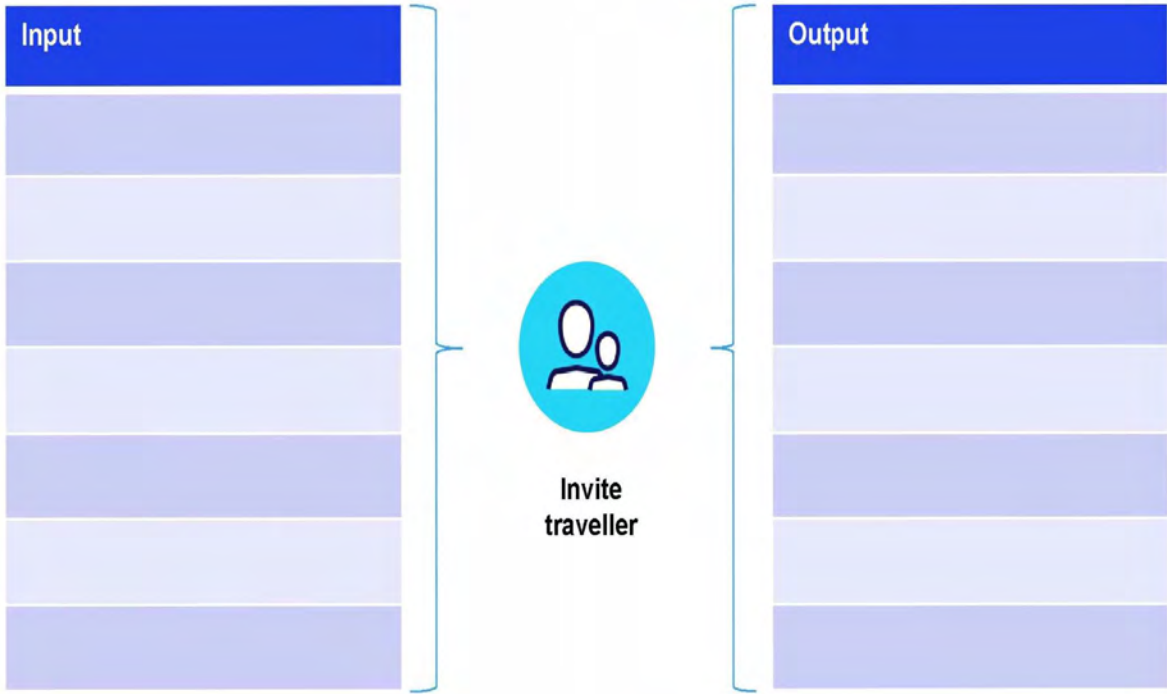


## Second time or more



● In scope    ● Out of scope

# KTDI Pilot – Data Flow ‘Invite Traveller’



# KTDI Pilot – Data Flow ‘Create KTDI Profile’



Input – Mandatory*	Input – Optional*
Username	Contact Details – Home Address
Password	Contact Details – Phone (Private)
Biometric Token (Face, Fingerprint → if supported by Travellers’ device)	Contact Details – E-mail (Private)
	Loyalty Programme
	Business – Base
	Business – Postal Address
	Business – Visiting Address



\*) Traveller manually enters this Building Blocks using the KTDI App. Building Blocks are stored persistently in the KTDI Wallet on the Travellers’ mobile device.



# KTDI Pilot – Data Flow ‘Create Digital ID’



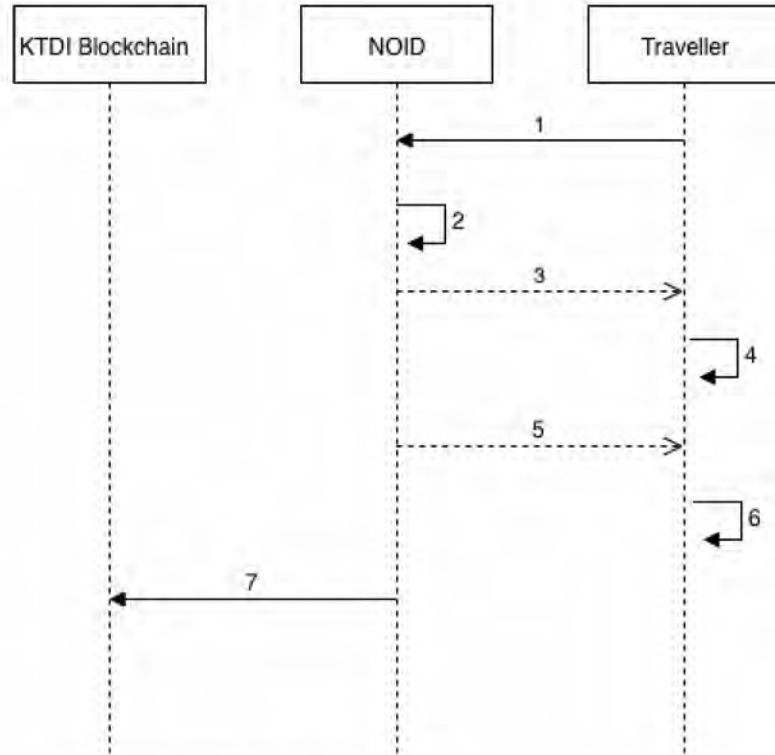
**Create Digital ID**

Output
Travel Document – Document – Type*
Travel Document – Document – Country of Issuance*
Travel Document – Document – Document Number*
Travel Document – Document – Expiry Date*
Travel Document – Holder – Given Names*
Travel Document – Holder – Surname*
Travel Document – Holder – Nationality*
Travel Document – Holder – DOB*
Travel Document – Holder – Sex*
Travel Document – Holder – FI*
UUID**
Attestation of the Creation of the Digital ID**
Transaction associated with the Attestation***

\*) Stored persistently in NOID database as Core Building Blocks.  
 \*\*) Stored persistently in the KTDI Wallet on the Travellers' mobile device.  
 \*\*\*) Stored persistently in the KTDI Blockchain.



# KTDI Pilot – Data Flow ‘Create Digital ID’



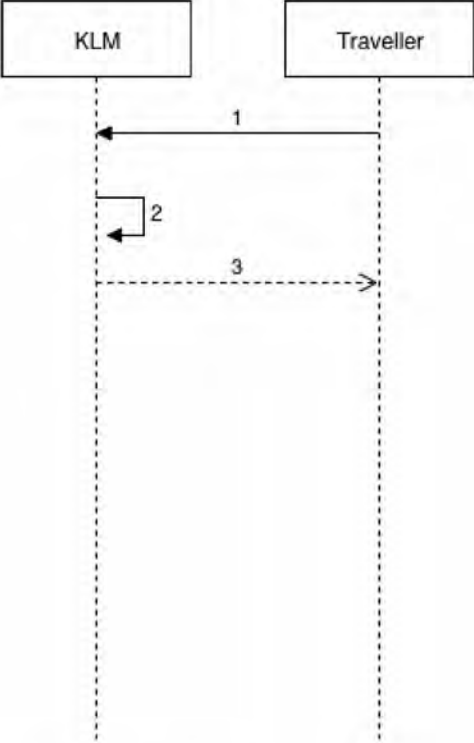
1. ePassport (manual action).
2. Internal processing, including storing [redacted] in NOIDs' system.
3. QR Code containing UUID.
4. Store UUID in [redacted] - Source - UUID' as part of the KTDI Profile which is stored in the KTDI Wallet on the Travellers' mobile device.
5. Attestation of the creation of the Digital ID.
6. Store the Attestation in the KTDI Wallet on the Travellers' mobile device.
7. Transaction associated with the Attestation.

# KTDI Pilot – Data Flow ‘Check In’ – Receive ‘Boarding Token’



\*) Pushed by the Airline to the KTDI App of the appropriate Traveller as a response to Check-in.

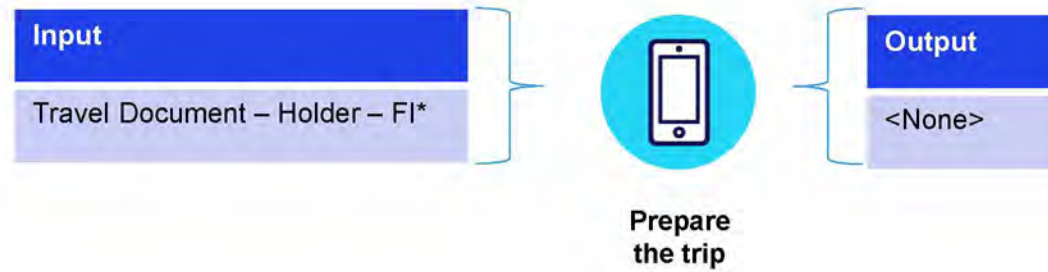
# KTDI Pilot – Data Flow ‘Check In’ – Receive ‘Boarding Token’



- (1. Check-in.)
- 2. Internal processing.
- 3. Boarding Token.



# KTDI Pilot – Data Flow ‘Prepare the Trip’ - Request Service ‘Priority Access to Security’



\*) Retrieved real-time from NOID. Each Core [redacted] is encapsulated in a Verifiable Claim.

# KTDI Pilot – Data Flow ‘Prepare the Trip’ – Request Service ‘Cross NLD Border – Departure’



Input: Core Building Blocks*
Travel Document – Document – Type
Travel Document – Document – Country of Issuance
Travel Document – Document – Document Number
Travel Document – Document – Expiry Date
Travel Document – Holder – Given Names
Travel Document – Holder – Surname
Travel Document – Holder – Nationality
Travel Document – Holder – DOB
Travel Document – Holder – Sex
Travel Document – Holder – FI



**Prepare the trip**

Output
<None>

\*) Retrieved real-time from NOID. Each Core [redacted] is encapsulated in a Verifiable Claim.

# KTDI Pilot – Data Flow ‘Prepare the Trip’ – Request Service ‘Boarding’

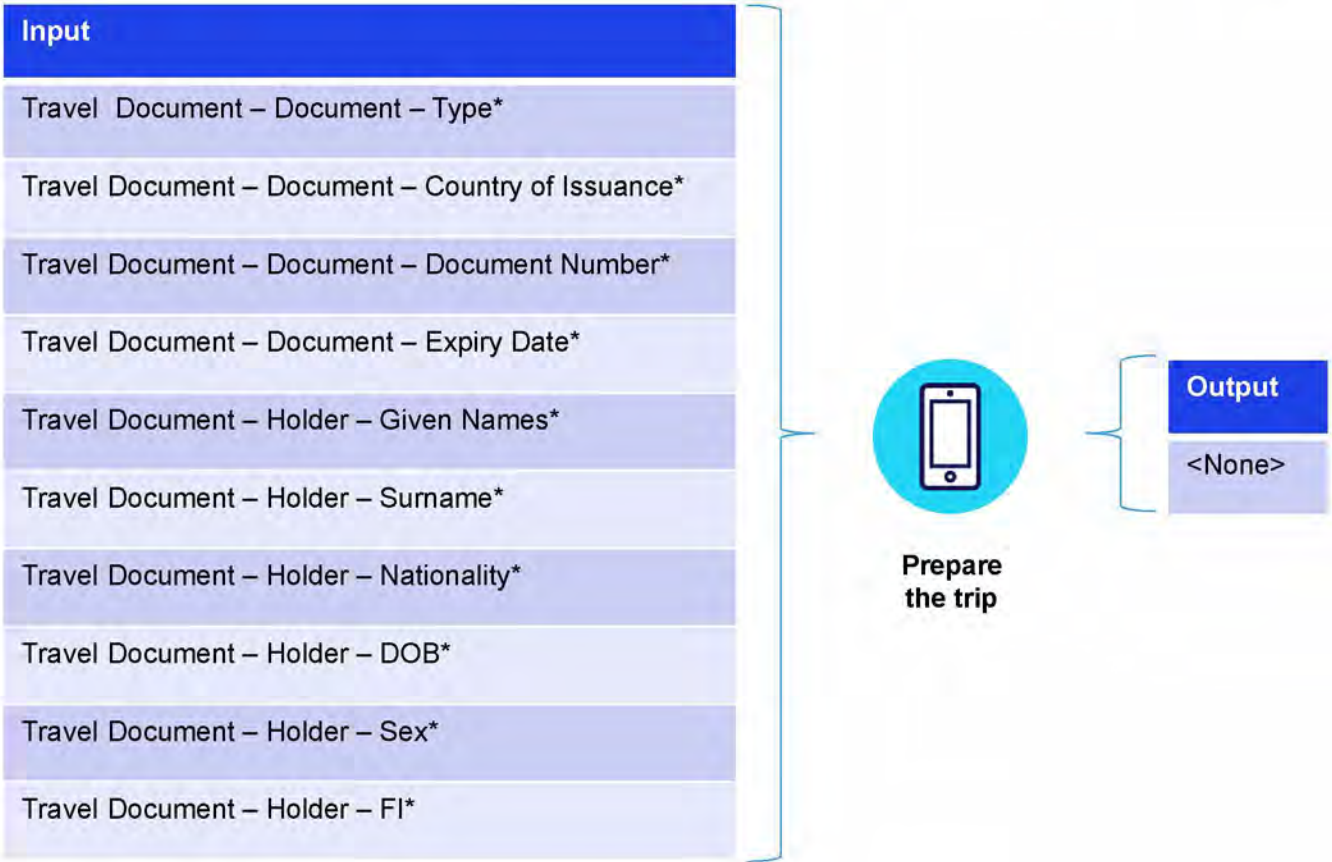


\*) Pushed by the Airline as a response to Check-in.

\*\*) Retrieved real-time from NOID. This Core [redacted] is encapsulated in a Verifiable Claim.

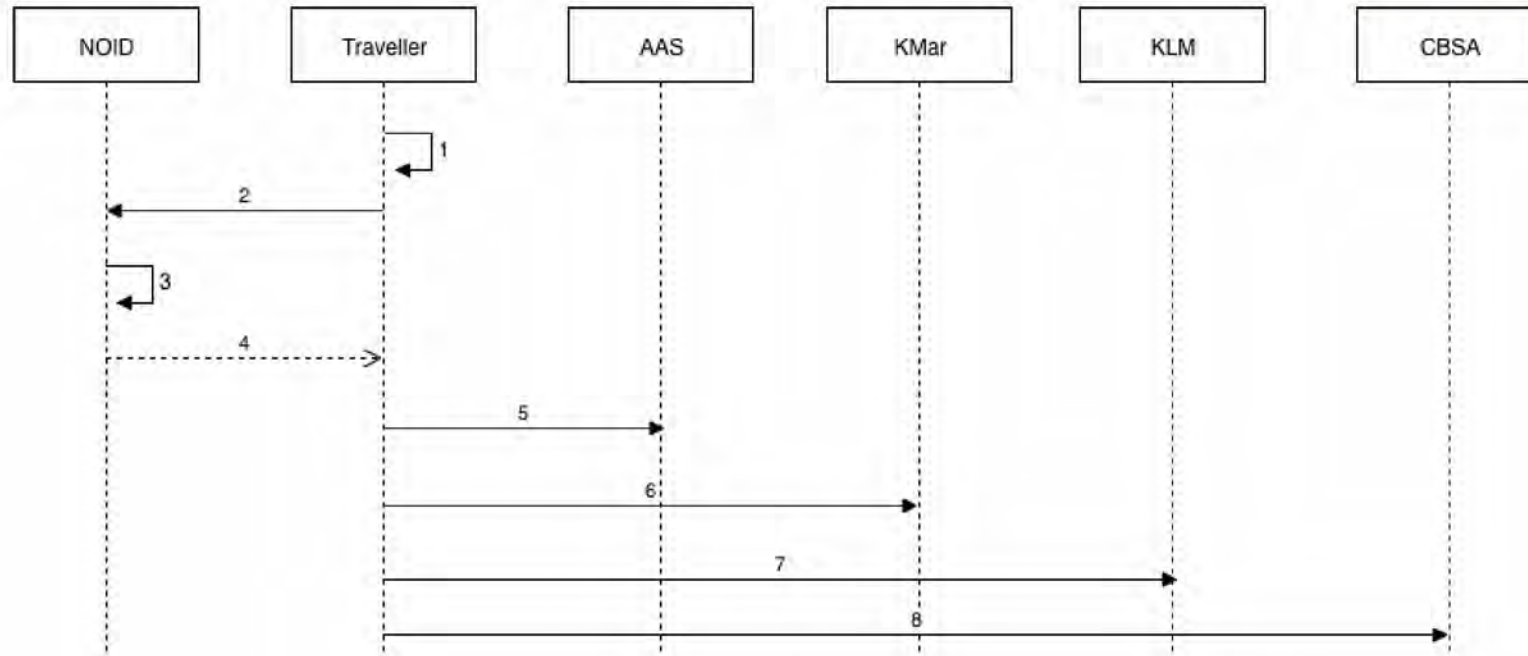


# KTDI Pilot – Data Flow ‘Prepare the Trip’ – Request Service ‘Cross CAN Border – Arrival’



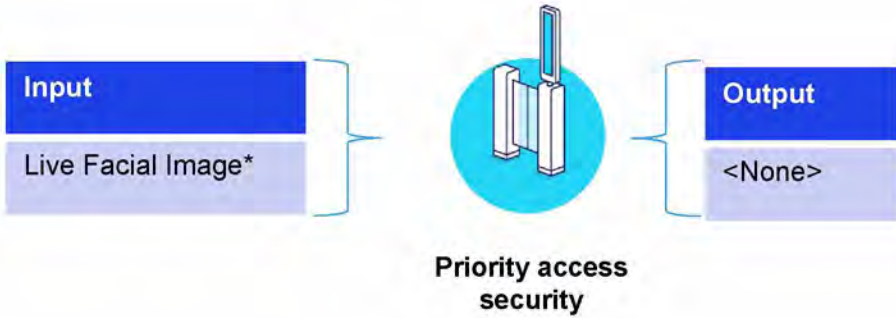
\*) Retrieved real-time from NOID. Each Core   is encapsulated in a Verifiable Claim.

# KTDI Pilot – Data Flow ‘Prepare the Trip’ (Dep).



1. Log-in (biometrics or alternatively username/password).
2. UUID and Live Facial Image.
- (3. Internal processing).
4. All Core Building Blocks.
5. Core ██████████ - Holder - FI' (and <?>)
6. All Core Building Blocks.
7. Boarding Token (already received from Airline after Check-in) & Core ██████████ Holder - FI'.
8. All Core Building Blocks.

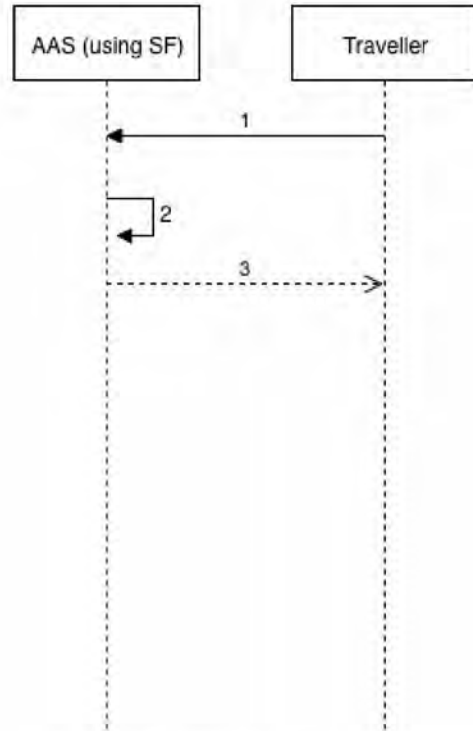
# KTDI Pilot – Data Flow ‘Priority Access to Security’



\*) Captured real-time by Seamless Flow Security Access Touchpoint

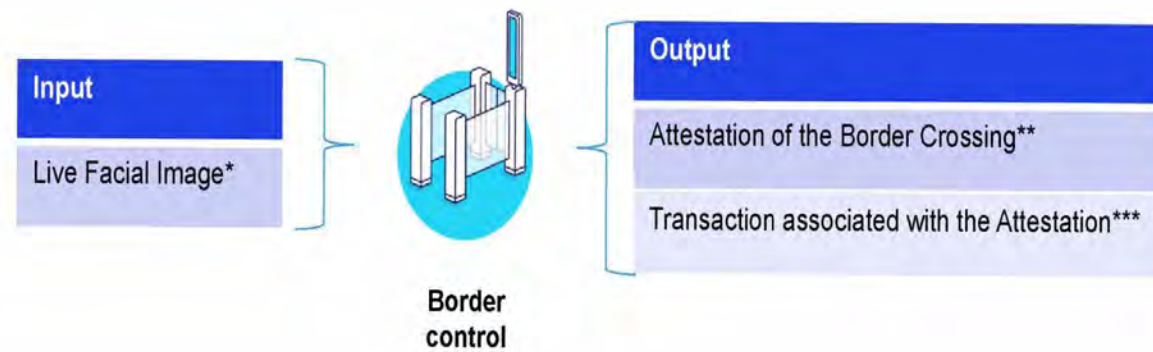


# KTDI Pilot – Data Flow ‘Priority Access to Security’



1. Live Facial Image.
2. Internal processing, including matching [redacted] with Core [redacted] Holder - FI' and determining the Travellers' eligibility to access the security restricted areas.
3. Acknowledge eligibility to access the security restricted areas.

# KTDI Pilot – Data Flow ‘Border Control – Departure NLD’

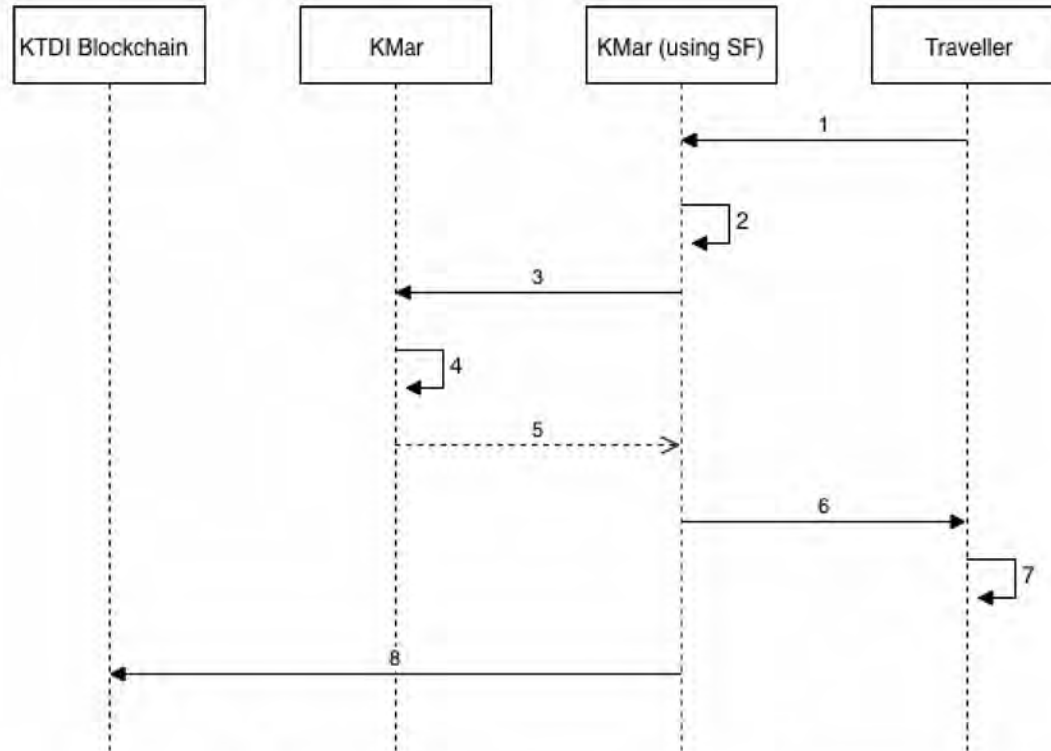


\*) Captured real-time by Seamless Flow Border Control Touchpoint

\*\*) Stored persistently in the KTDI Wallet on the Travellers' mobile device.

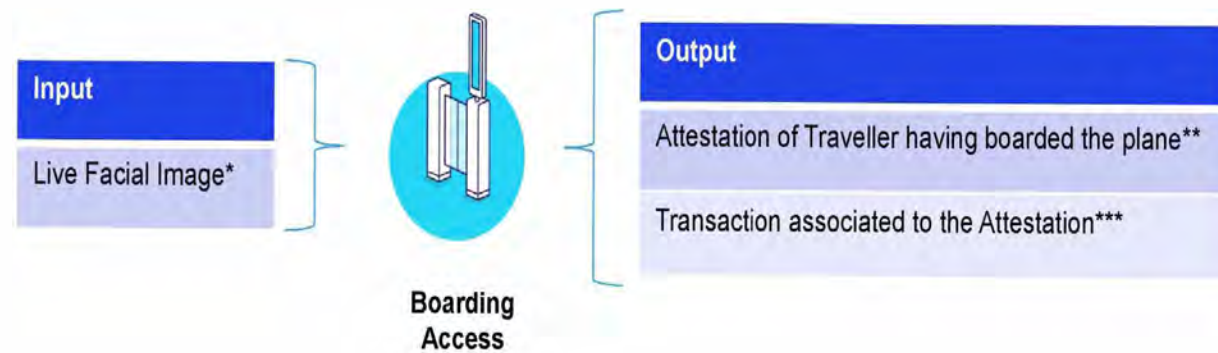
\*\*\*) Stored persistently in the KTDI Blockchain.

# KTDI Pilot – Data Flow ‘Border Control – Departure NLD’



1. Live Facial Image.
2. Internal processing, including matching [redacted] with Core [redacted] Holder - FI' and retrieving <Border Control Token>.
3. <Border Control Token>.
- (4. Internal processing.)
5. Acknowledge eligibility to cross border (CAN Traveller needs exit stamp!).
6. Attestation of border crossing.
7. Store the Attestation in the KTDI Wallet on the Travellers' mobile device.
8. Transaction associated with the Attestation.

# KTDI Pilot – Data Flow ‘Boarding Access’



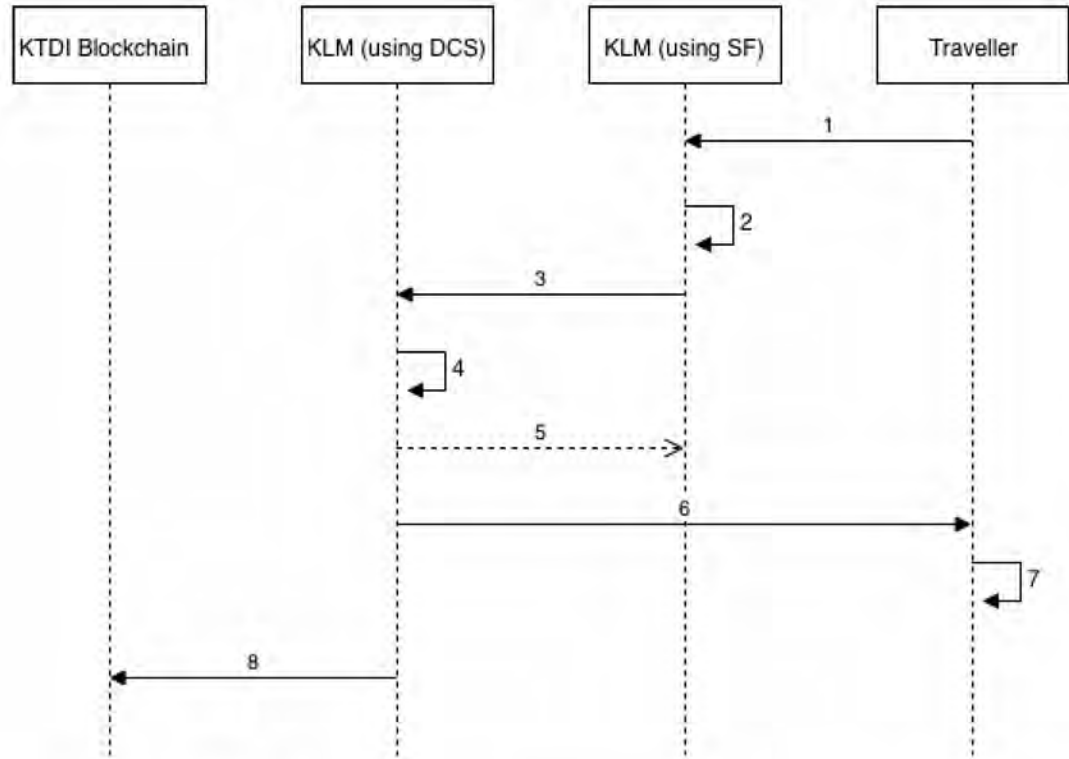
\*) Captured real-time by Seamless Flow Boarding Touchpoint

\*\*) Stored persistently in the KTDI Wallet on the Travellers' mobile device.

\*\*\*) Stored persistently in the KTDI Blockchain.



# KTDI Pilot – Data Flow ‘Boarding Access’



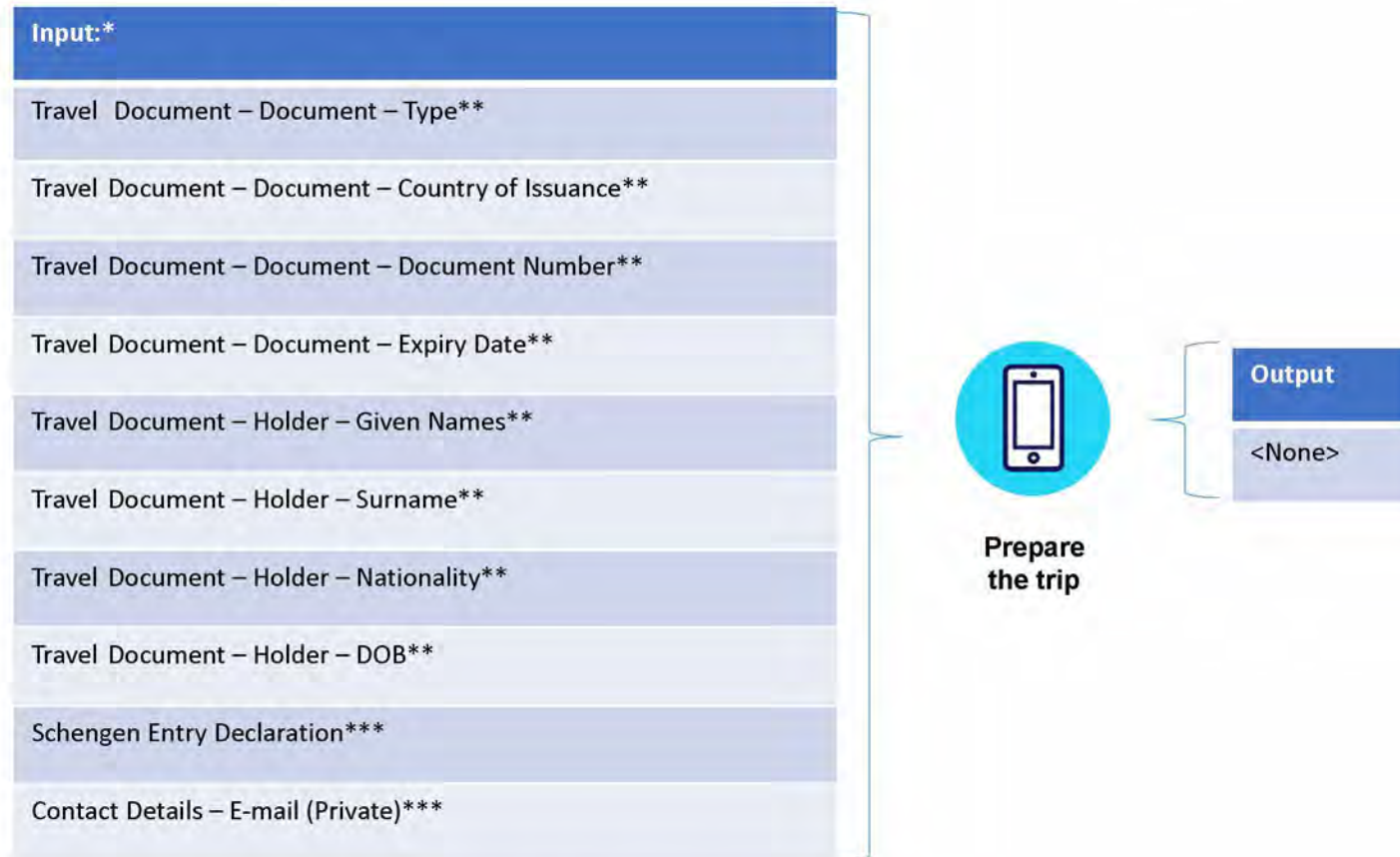
1. Live Facial Image.
2. Internal processing, including matching [redacted] with Core [redacted] - Holder - FI' and retrieving Building Block 'Boarding Pass - Token'.
3. Boarding Token.
- (4. Internal processing.)
5. Acknowledge eligibility to board.
6. Attestation of boarding.
7. Store the Attestation in the KTDI Wallet on the Travellers' mobile device.
8. Transaction associated with the Attestation.

# Data Flows CAN → NLD


# KTDI Pilot Process – Arrival NLD




# KTDI Pilot – Data Flow ‘Prepare the Trip’ – Request Service ‘RTP-NL Application’



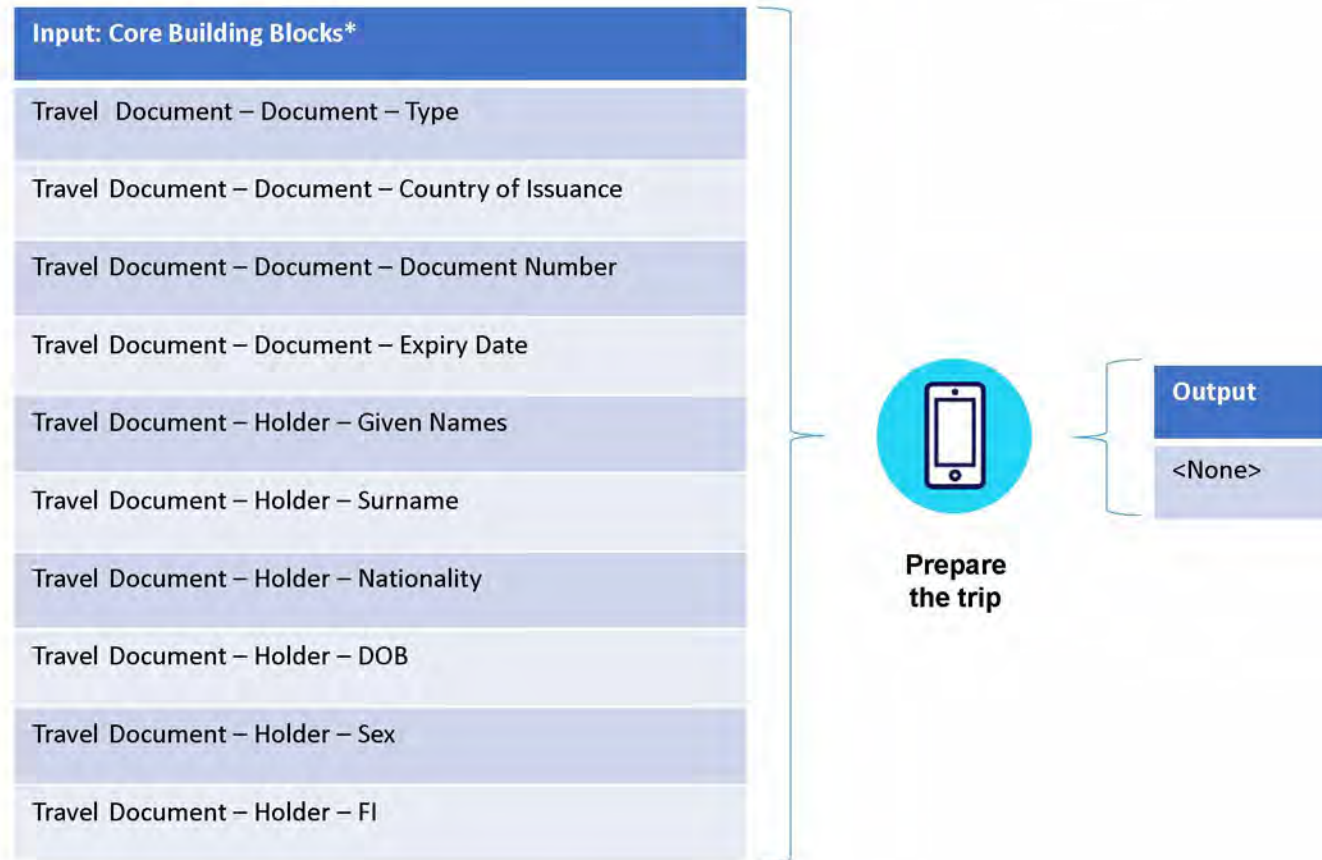
\*) Only applicable for Canadian ‘First Timer’ who not already is RTP-NL member.

\*\*\*) Each Core  is encapsulated in a Verifiable Claim.

\*\*\*\*) Canadian Traveller manually fills in this  Block.

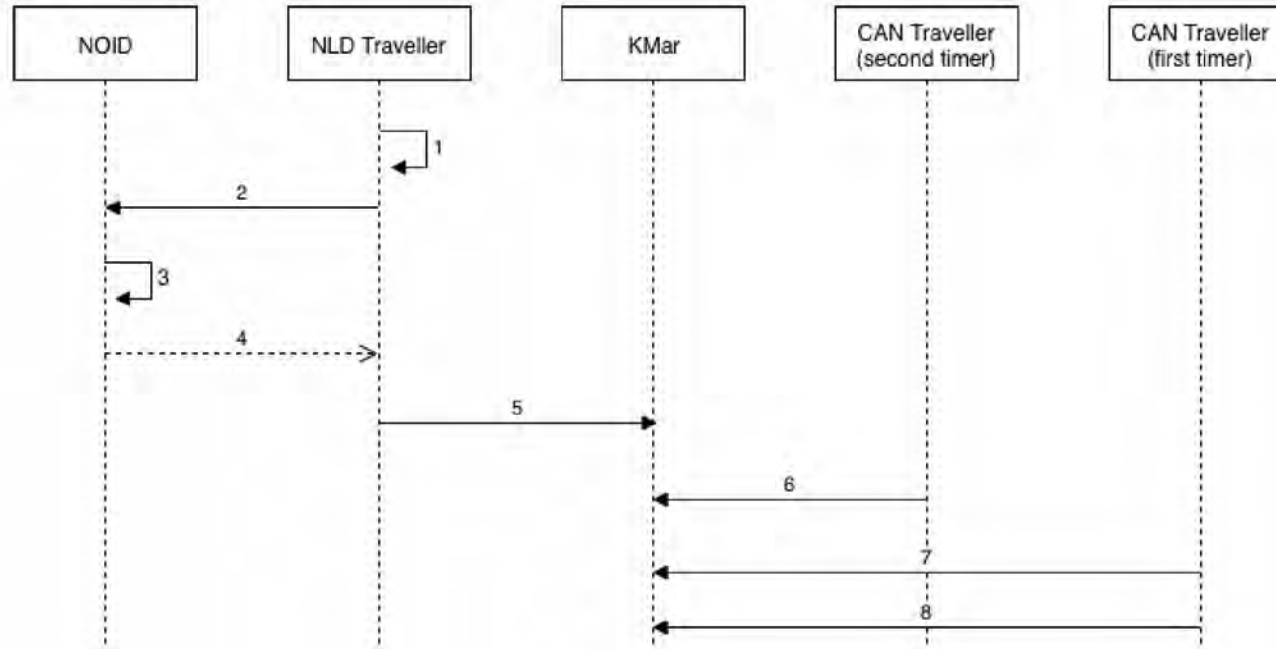


# KTDI Pilot – Data Flow ‘Prepare the Trip’ – Request Service ‘Cross NLD Border – Arrival’



\*) Each Core   is encapsulated in a Verifiable Claim.  
In case of NLD Traveller: Core Building Blocks are retrieved real-time from NOID.

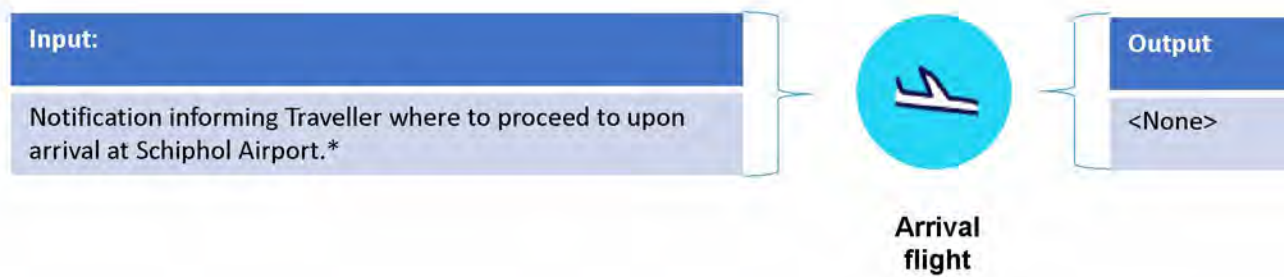
# KTDI Pilot – Data Flow ‘Prepare the Trip’ (Arr)



1. Log-in (biometrics or alternatively username/password).
2. UUID and Live Facial Image.
- (3. Internal processing).
4. All Core Building Blocks.
5. All Core Building Blocks (necessary for Service 'Cross NLD Border - Arrival).
6. All Core Building Blocks (necessary for Service 'Cross NLD Border - Arrival).
7. Building Blocks (necessary for Service 'RTP-NL Application').
8. All Core Building Blocks (necessary for Service 'Cross NLD Border - Arrival).

KTDI UML-6 NLD Data Flow Prepare the Trip Arrival NLD

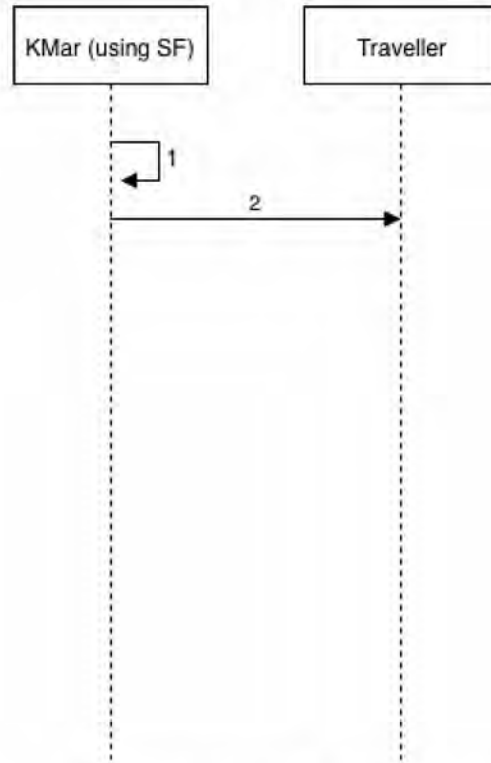
# KTDI Pilot – Data Flow ‘Arrival Flight’



\*) Possible notifications:

1. Go to Seamless Flow Border Control Touchpoint.
2. Go to RTP-NL desk in order to finalize RPT-NL membership (CAN first timer only).

# KTDI Pilot – Data Flow ‘Arrival Flight’



1. Internal processing: determine next touchpoint of Traveller:
  - NLD Traveller: SF Border Control Touchpoint.
  - CAN first timer: RTP-NL desk.
  - CAN second timer: SF Border Control Touchpoint.
2. Send notification to Traveller.

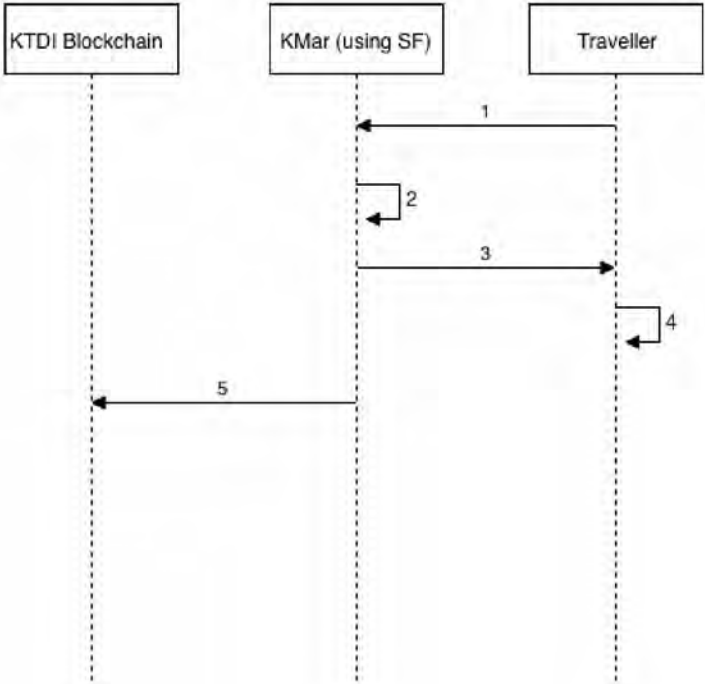


# KTDI Pilot – Data Flow ‘Border Control – Finalize RTP-NL Application’



\*) Stored persistently in the KTDI Wallet on the Travellers’ mobile device.  
\*\*) Stored persistently in the KTDI Blockchain.

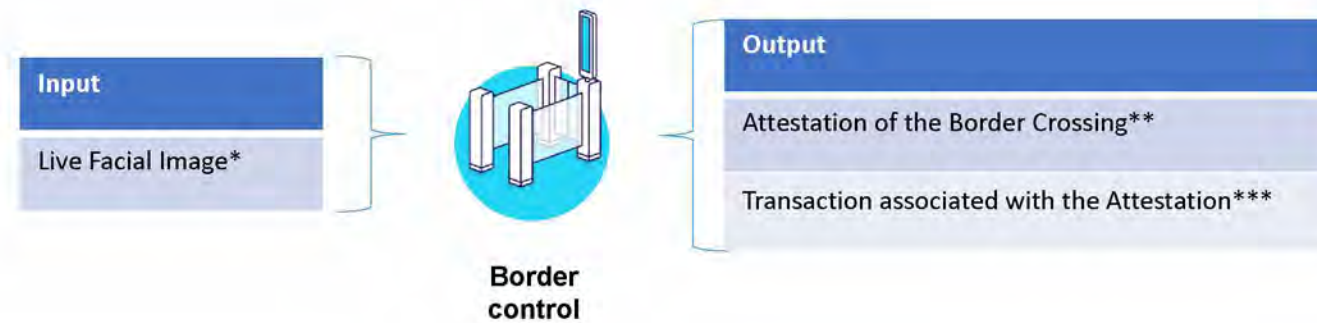
# KTDI Pilot – Data Flow ‘Border Control – Finalize RTP-NL Application’



- 1.. E-passport.
- ( 2.Internal processing.)
- 3. Attestation of active RTP-NL membership.
- 4. Store the Attestation in the KTDI Wallet on the Travellers' mobile device.
- 5. Transaction associated with the Attestation.

KTDI UML-<X> NLD Data Flow Finalize RTP-NL Application - Arrival NLD

# KTDI Pilot – Data Flow ‘Border Control – Arrival NLD’

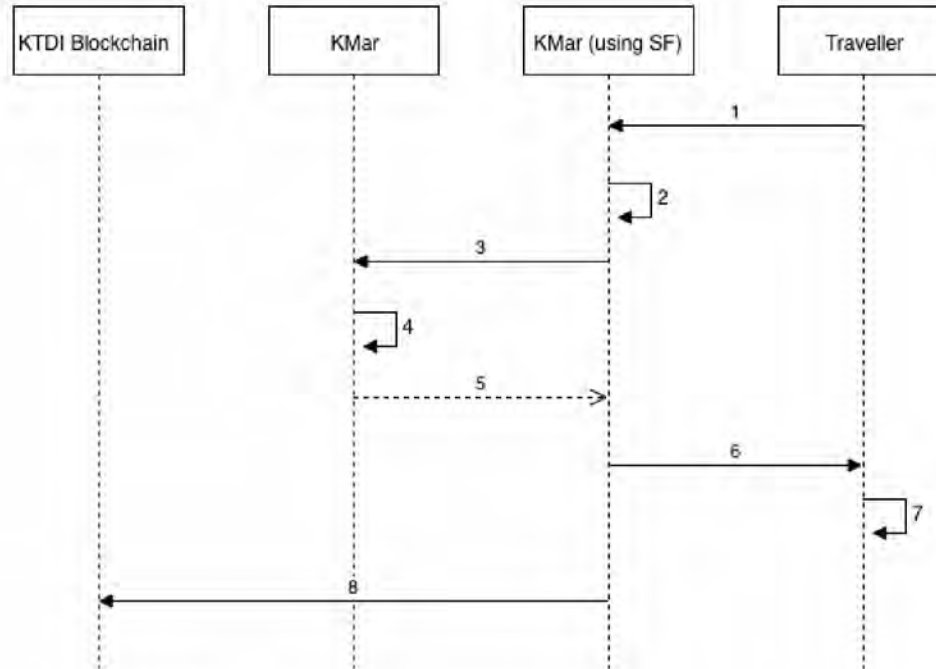


\*) Captured real-time by Seamless Flow Border Control Touchpoint

\*\*) Stored persistently in the KTDI Wallet on the Travellers' mobile device.

\*\*\*) Stored persistently in the KTDI Blockchain.

# KTDI Pilot – Data Flow ‘Border Control – Arrival NLD’



1. Live Facial Image.
2. Internal processing, including matching [redacted] with Core [redacted] - Holder - FI', checking RTP-NL membership (CAN Traveller only) and retrieving <Border Control Token>.
3. <Border Control Token>.
- (4. Internal processing.)
5. Acknowledge eligibility to cross border (CAN Traveller needs entry stamp!)
6. Attestation of border crossing.
7. Store the Attestation in the KTDI Wallet on the Travellers' mobile device.
8. Transaction associated with the Attestation.

KTDI UML-9 NLD Data Flow Border Control - Arrival NLD